

AL code

Realtime print & apply system



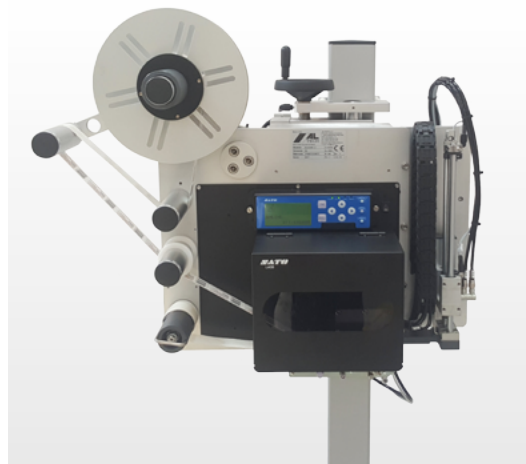
ALcode print and apply machines apply the 'just printed' label onto products whilst stopped or in motion, and in any position


ALcode LT

The entry model to the ALcode range is the ALcode LT, a compact and surprisingly economical print/apply unit. It integrates the Sato LT 408 print engine, with a variety of computer interface options, 200 DPI print definition and 112 mm max printable width. ALcode LT can be equipped with several different application devices. Modules available are:

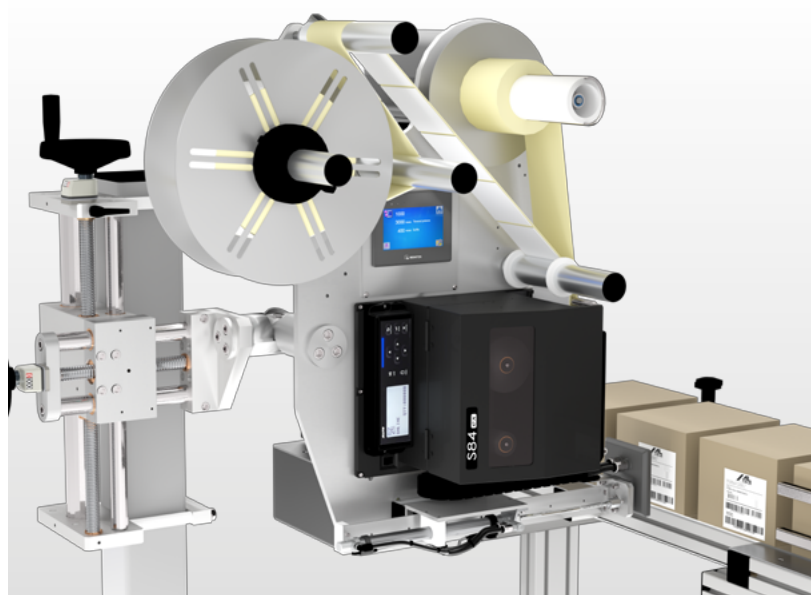
- Air jet application system (with or without piston), for regular shape moving products.
- Swinging application system, for wipe-on application onto moving products (ideal for sacks and bags, both empty or filled).
- Tamp application system, for stationery products.


The machine is engineered for low – medium speed packing lines, and it can be loaded with rolls of labels up to 230 mm diameter.



 *ALcode LT with air blow applicator. ([Watch video](#))*

ALcode



 *ALcode with air blow label applicator for moving products. ([Watch video](#))*

- Air jet application system (with or without piston), for regular-shaped moving products.
- Vacuum belt application device, for label application onto regular moving products. This device is only electrical and does not require compressed air.
- Swinging application system, for wipe-on application onto moving products (ideal for sacks and bags, both empty or filled).
- Tamp application system, for stationery products potentially at variable heights.
- Rotary arm applicator, to apply on to the front of moving products.

The ALcode unit is controlled by a powerful PLC with a colour touch screen HMI. It is positioned within the main machine body, but rotatable to suit the position of the machine relative to its operation.

ALcode represents the cutting edge in label print and apply technology, and is distinguished in the field amongst its peers for its extreme robustness, great versatility, and incredible performance.

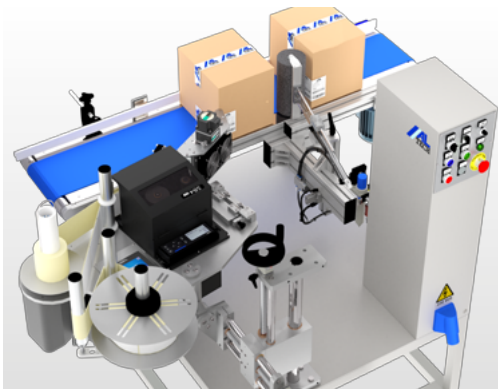
ALcode is designed to integrate the various models of Sato print module with their respective high performances (Series EX), Zebra ZE500 and with other compatible models.


ALcode can manage labels up to 180 mm in width (depending on the printer chosen).

ALcode can be equipped with a huge array of different application devices.

Modules available include:


The display allows the operator to change the application parameters, and inform the user about the machine status. The machine is designed for medium-high speed packaging lines. As standard it can accept label reels up to 300 mm diameter, but can be optioned with an enlarged 400 mm unit and corresponding high-capacity rewinder. It is also possible to add on some further enhancement devices, such as:



 *ALcode with vacuum belt applicator. (Watch video)*


- Laser scanner for barcode checking/label presence confirmation.
- Near end of reel sensor and/or rewind full, with multicolour tower light.
- 'Label on tamp' confirmation sensor.
- Supplementary label bending/adaptation devices.
- A sensor to confirm the presence of compressed air.
- PLC's from alternate manufacturers and/or with custom interface programming.



 *ALcode with swinging arm applicator. (Watch video)*

ALcode P



 *ALcode P for application on two sides of a pallet. (Watch video)*


ALcode P is the name used to identify ALcode machines specifically designed for pallet labelling. The main features of the standard ALcode are carried over, however, in pallet labelling conveyors are normally wider so application distances are bigger and the environment is often harsher (warm/cold/dusty), generally with larger labels to be applied and on multiple pallet faces/positions. For these reasons, ALcode P is equipped with a solid base housed with an integrated cabinet for safety protection, and often the dual purpose to protect the machine from its environment (with various options available such as positive air pressure, automatic cabinet opening doors and heaters, to enhance this).

The standard application solutions are designed for A5 labels (148mm x 210mm, different sizes are available

on-demand) and are capable of self-adjusting to varying pallet shapes or slightly different stopping positions. They include:

- Tamp application system, (long stroke 500 mm or 1000 mm) for single label application on a stopped pallet.
- Multi-axis movement system for 2 labels application onto two adjacent faces of a stopped pallet (i.e. front + side) with one pallet stop (or optionally 3 labels on three faces with two pallet stops).

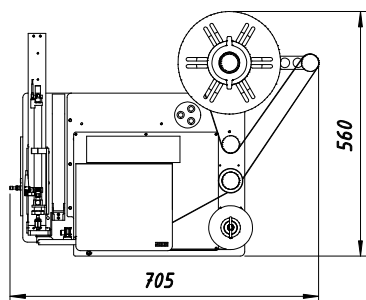


 *Application on 3 sides of a pallet. (Watch video)*

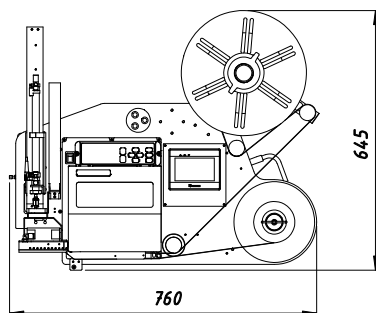
ALcode P is controlled by an enlarged powerful PLC for advanced machine operation and handshake signalling. It also includes a colour touch screen HMI with specific functionality developed for the pallet labelling. For example, the display provides the possibility to activate an auto-repeat function in the case of a scanner 'barcode check' fault signal (where desired and fitted), as well as general machine status information and control of the same wide and varied options available for the machine as per the standard ALcode.

Technical specifications

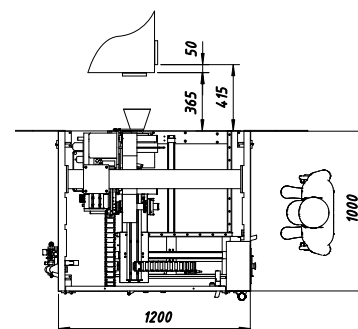
ALcode LT



ALcode



ALcode P



	ALcode LT	ALcode	ALcode P
HMI	-	Display touch screen	Display touch screen
PRINTERS	SATO LT408	SATO S8x - ex / Zebra ZE500 or compatibles	
MAX. LABELS WIDTH	112 mm	180 mm (with SATO)	
UNWINDER UNIT	∅ 230 mm (PR05)	∅ 300 mm (PR00), ∅ 400 mm opt. PR16	
<u>APPLICATORS</u>			
AIR JET MULTIFORMAT	✓ (AC07)	✓ (AC07) (AC05)	-
SWINGING ARM BY CONTACT	✓ (AC09)	✓ (AC06)	-
AIR JET WITH PISTON	✓ (AC02)	✓ (AC02)	-
PISTON BY CONTACT	✓ (AC03)	✓ (AC03)	-
VACUUM BELTS APPLICATOR	-	✓ (AC36)	-
ROTARY FOR FRONT APPLICATOR	-	✓ (AC04)	-
PISTON BY CONTACT (stroke 500 mm)	-	✓ (AC10)	✓ (AC10)
PISTON BY CONTACT (stroke 1000 mm)	-	-	✓ (AC11)
MULTI AXIS FOR 2 LABELS	-	-	✓ (AC12, opt. 3 labels AC14)
<u>OPTIONS</u>			
BARCODE SCANNER	-	✓ (CS09)	✓ (CS09)
NEAR END OF ROLL SENSOR (with 3 colors light column)	-	✓ (CS02)	✓ (CS02)
AIR PRESENCE CONTROL	-	✓ (CS15)	✓ (CS15)
CONTROL OF LABEL PRESENCE ON TAMP.	-	✓ (CS06)	✓ (CS06)
CORNER ADAPTER DEVICE	-	✓ (AS08)	-
PLC SIEMENS	-	✓ (AC20)	✓ (AC20)
POWER SUPPLY	110 - 230 V, 50Hz., 800 W		
PNEUMATIC FEEDING	Air 5 atm., 50 lt./min		



ALTECH SRL

Viale de Gasperi, 70 - 20010 Bareggio (MI), Italy

www.altech.it - E-mail: Info@altech.it

Tel. +39.02.90.363.464 - Fax +39.02.90.363.481